

**NEPROPLAST PVC
DRAIN-WASTE-VENT (DWV)
ASTM FITTINGS
FOR DRAINAGE SYSTEM**

NEPROPLAST

NEW PRODUCTS INDUSTRIES CO. LTD



Distributed by
National Marketing Est. Co. Ltd

Certificate of Registration



This is to certify that the Quality Management System of

New Product Industries Co. Ltd.(NEPROPLAST)

P.O. Box 460, Jeddah 21411, Kingdom of Saudi Arabia

has been assessed and registered by MICL as conforming to the requirements of

ISO 9001: 2008

The Quality Management System is applicable to

The manufacture of upvc & cpvc plastic pipes & fittings and hdpe plastic pipes

Certificate Number: 27050
Initial Certification Date: 20 September 2012
Certificate Expiry Date: 19 September 2015

Colin Johnson, President

Moody International Certification Ltd (UK member) - 10000 House, Station Way, High Wycombe, Bucks, Uxbridge, UK, W12 8RT United Kingdom

Moody International Certification Ltd (USA member) is a UKAS accredited body under schedule of accreditation no. 014

In the issuance of this certificate, Intertek assumes no liability to any party other than to the Client, and then only in accordance with the agreed upon Certification Agreement. This certificate's validity is subject to the organisation maintaining their system in accordance with Intertek's requirements for system certification. Validity may be confirmed via email at certificates.validation@intertek.com or by scanning the code to the right with a smartphone.



MOODY INTERNATIONAL CERTIFICATION

New Product Industries Co.Ltd

NEPROPLAST

P.O.Box-460, Jeddah - 21411
Kingdom of Saudi Arabia

BS EN ISO 9001:2000

SCOPE OF REGISTRATION:

The Manufacture of uPVC and CPVC Plastic Pipes and Fittings

CERTIFICATE NO: 27050

Subject to continued compliance with ISO 9001 and the Moody International Certification Scheme Rules and Regulations, your certificate of which scope of Registration document is part is valid indefinitely.

Further Clarification regarding the scope of this certificate and the applicability of ISO 9001:2000 requirements may be obtained by consulting the above Organisation

While all due care and skill was exercised in carrying out this audit, Moody International Certification Ltd. accepts responsibility only for proven gross negligence.

Checked that this is a copy of the original certificate issued by Moody International

(Ben Phipps)



Close window to exit NSF Listings

NSF Product and Service Listings

These NSF Official Listings are current as of **Monday, June 18, 2012** at 12:15 a.m. Eastern Time. Please [contact NSF International](#) to confirm the status of any Listing, report errors, or make suggestions.

Alert: NSF is concerned about fraudulent downloading and manipulation of website text. Always confirm this information by clicking on the below link for the most accurate information: <http://www.nsf.org/Certified/Products/Components/Listings.asp?Company=C0026969&Standard=6618>

NSF/ANSI STANDARD 61 Drinking Water System Components - Health Effects

NOTE: Unless otherwise indicated for Materials, Certification is only for the Water Contact Material shown in the Listing. [Click here for a list of Abbreviations used in these Listings.](#)

New Products Industries Co., Ltd. (Neproplast)

Jeddah Industrial City, Phase 3

P.O. Box 460

Jeddah 21411

Saudi Arabia

966 26363558

[Visit this company's website](#)

Facility : Jeddah, Saudi Arabia



STANDARDS

PVC is the most frequently specified of all thermoplastic materials. It has been used successfully for over 50 years in such areas as Potable drinking water system, chemical processing, industrial plating, chilled water distribution, deionized water lines, chemical drainage, and irrigation system. PVC is characterized by robust high physical properties and resistance to corrosion and chemical attack by acids, alkalis, salt solutions and many other chemicals. It is attacked, however, by polar solvents such as ketones, some chlorinated hydrocarbons, and aromatics. The maximum service temperature of PVC is 60°C. With a design stress of 2,000 psi, PVC has the highest long-term hydrostatic strength at 23°C of any of the major thermoplastics being used for piping systems. PVC is joined by solvent cementing, threading, flanging and rubber ring sockets.

Standards

ASTM Standards D 2665 and D 3311

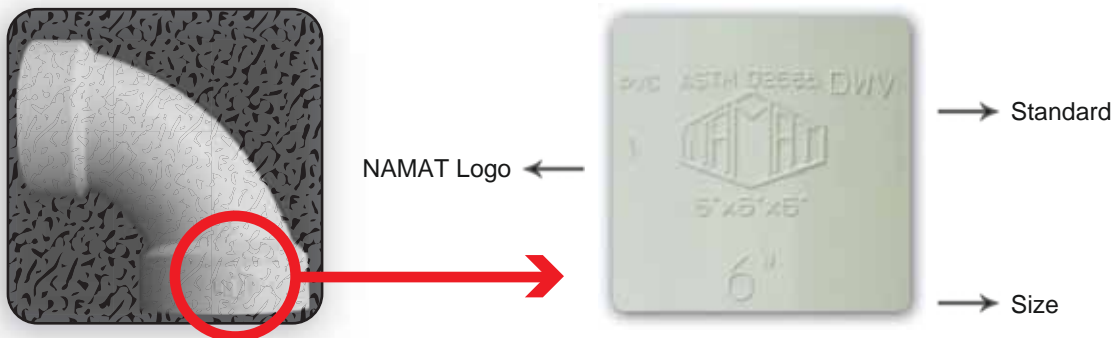
NAMAT PVC DWV Fittings are manufactured and tested according to ASTM D 2665, Geometric NAMAT PVC DWV Fittings conformed to ASTM D 3311.

Color

NAMAT PVC DWV Fittings Color - White

Marking

NAMAT PVC DWV Fittings are marked as specified in the ASTM Standard indicating Manufacture Name Standard, Size, Type and NAMAT Logo, or pipe insertion size

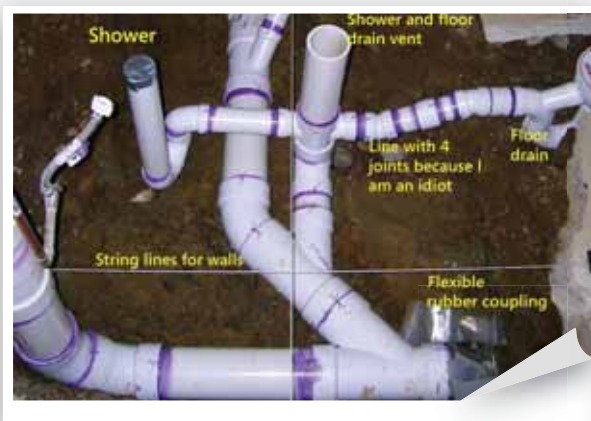


Approval

NSF Standard 61 was developed to establish minimum requirements for the control of potential adverse human health effects from products which contact drinking water. This standard complements the performance requirements that are contained within ASTM product standards. NAMAT PVC & CPVC fitting products intended for potable water application have been tested and certified by a third-party agency for material compliance to NSF Standard 61.

Joining

NAMAT PVC DWV Fittings are socket type for solvent cement jointing



SOLVENT CEMENT WELDING

This method of joining is very simple and reliable if it is followed correctly, but any deviations from the recommended basic steps may reduce the strength and integrity of the joint. The procedures for preparation, insertion, and curing should be followed. For further details please consult National Marketing sales office.

Cutting



- Pipe must be cut square (90° angle) using a miter box saw or a plastic pipe cutter
- All burrs or raised beads from the end of the pipe must be removed
- Pipe edge must be bevelled

Priming and Cementing

Primer (Fitting-Pipe-Fitting):



Cement (Pipe-Fitting-Pipe)



Safety Precautions

Solvent cement and primer contain highly volatile solvents. Use them in a well ventilated area, keep away from naked flames, avoid smoking, switch off unprotected electrical apparatus and electric heaters, discontinue any welding operation, observe all instructions issued by solvent cement manufacturer & always obey the safety regulation issued by the authorities responsible.

ADVANTAGES OF NAMAT PVC DWV FITTINGS

Corrosion Resistance:

NAMAT PVC DWV Fittings being a non - conductor and non - mettalic. It resist all types of galvanic and eletro-mechanical influences, all types of corrosion caused by water, industrial liquids and chemicals. Thus increasing the life time of installed DWV piping system.

Resistance to biological attack and Bacteria growth:

NAMATPVC DWV Fittings are resistant to any microscopic life that it might be exposed to. It does not offer a nourishing source to any bacterial life form and is completely guaranteed to withstand any such growth.

Resistance to abrasion:

NAMATPVC DWV Fittings are highly resistant to abrasion due to stress from abrasion fluids of excessive pressure. Tests have shown that DWV Piping System are up to 2.5 times more resistant to abrasion when compared to steel.



ADVANTAGES OF NAMAT PVC DWV FITTINGS

Reaction with building materials:

NAMAT PVC DWV Fittings do not react with any of the normal building materials like cements and paints. However, information about chemical resistance of NAMAT Fittings to a wide range of chemicals can be found in the tables of chemicals resistance list. please consult with National Marketing Sales Office.

Effect of Sunlight:

Long exposure to direct sunlight causes the color of NAMAT PVC DWV Fittings to fade, in addition to the reduction of impact strength. The effect of sunlight does not seriously affect the performance of the system, however it is always advisable to protect the system from the direct exposure to sunlight.

Effect of frost:

NAMAT PVC DWV Fittings are not affected by frost, however sub-zero temperature reduce the impact strength of the DWV system. Therefore, extra care is to be given while handling and installing PVC piping system during sub-zero temperatures.

Fire Proof and flamability:

NAMAT PVC DWV Fittings do not support combustion and are self extinguishing as per BS2782. Pipes systems will not burn unless an external flame source is applied. NAMAT PVC DWV Fittings are non-toxic and will not affect taste, smell or color of drinking water or any other liquid. Extensive tests on Fittings compounds prove their outstanding fire performance.

Ease of handling, during installation and maintenance

PHYSICAL PROPERTIES

Table No - 1

	UNIT	PVC	ASTM TEST
Specific gravity	g/cc	1.40 – 1.43	D-792
Cell Designation		12454B	D-1784
MECHANICAL	UNIT	PVC	ASTM TEST
Izod Impact	j/m of notch	34.7	D-256
@ 23 C (73 F)	ft.1b/in of notch	0.65	
Tensile Strength	Mpa	48.3	D-638
@ 23 C (73 F)	Psi	7000	
Modulus of Elasticity	Mpa	2758	D-638
In Tension @ 23 C (73 F)	Psi	400.000	
Flexural Strength	Mpa	87.6	D-790
@23 C (73 F)	Psi	12700	
Relative Hardness	Rockwell "R"	120	D-785
@23 C (73 F)			
THERMODYNAMICS	UNIT	PVC	ASTM TEST
Thermal Conductivity	Wm/ k	0.17	ASTM C177
	Btu.in/hr/ft / F	1.2	
Heat Deflection Temperature @1.82	C	71.1	ASTM D - 648
mpa(264 psi)	F	160	
Maximum operating	C	60	
Temperature	F	140	
ELECTRICAL	UNIT	PVC	ASTM TEST
Dielectric	KV	55	D-147
Strength	Mm		
	V		
	Mil	1400	
Volume resistivity	Ohm-cm	3.5x10	D-257
@23 C (73 F)	Ohm-inch	899x10	

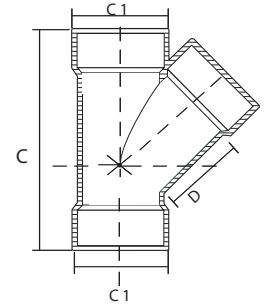


NAMAT DWV FITTINGS

Wye 45° (All Hub)



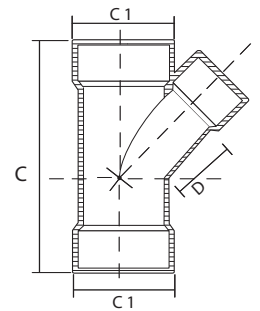
Size In.	Wye 45° (All Hub)			
	Ordering Code No	C	C1	D
		mm	mm	mm
2	126SNWY2	165.50	69.01	111.31
3	126SNVY3	244.50	100.53	124.00
4	126SNWY4	292.90	127.70	204.15
6	126SNVY6	409.40	183.30	214.20



Wye 45° Reducing (All Hub)



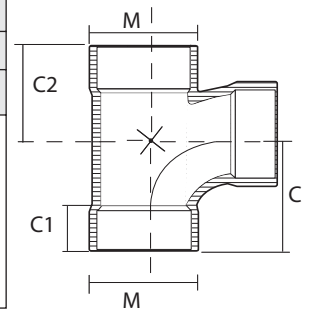
Size In.	Wye 45° Reducing (All Hub)			
	Ordering Code No	C	C1	D
		mm	mm	mm
3x3x2	126SNVY3x2	203.00	100.53	119.90
4x4x2	126SNVY4x2	216.90	127.70	140.50
4x4x3	126SNVY4x3	255.90	127.70	151.50
6x6x4	126SNVY6x4	329.40	183.30	190.



Sanitary TEE 90° (All Hub)



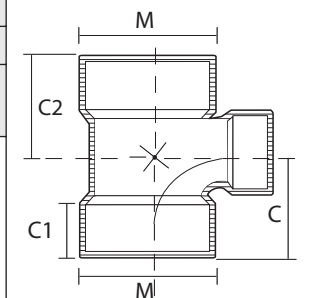
Size In.	Sanitary TEE 90° (All Hub)				
	Ordering Code No	C	C1	M	C2
		mm	mm	mm	mm
2	126SNVT2	78.50	20.00	68.95	54.50
3	126SNVT3	116.50	38.50	100.73	84.00
4	126SNVT4	141.95	44.45	127.70	100.95
6	126SNVT6	202.70	76.20	183.30	164.70



Sanitary TEE Reducing 90°



Size In.	Sanitary TEE Reducing 90°				
	Ordering Code No	C	C1	M	C2
		mm	mm	mm	mm
3x3x2	126SNVT3x2	92.00	38.50	100.73	68.00
4x4x2	126SNVT4x2	95.95	44.45	127.70	72.95
4x4x3	126SNVT4x3	119.95	44.45	127.70	87.95
6x6x4	126SNVT6x4	169.20	76.20	183.30	134.20

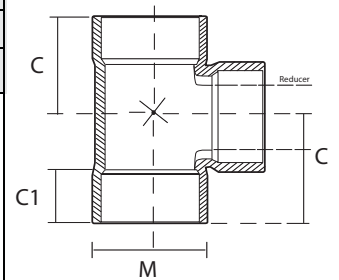


NAMAT DWV FITTINGS

Short Tee (All Hub)



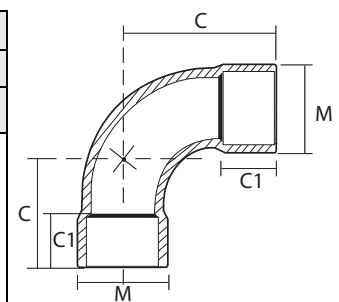
Size In.	Short Tee (All Hub)			
	Ordering Code No	C mm	C1 mm	M mm
4	126SN WT4	110.40	51.00	127.06
6	126SN WT6	76.20	165.20	183.05
4x4x2	126SN WT4x2	50.80	165.20	126.80
6x6 x4*	126SN WT6x4	76.20	165.20	183.05



Sanitary Elbow 90° (All Hub)



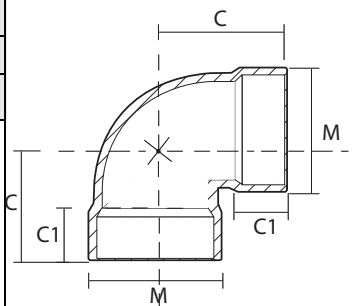
Size In.	Sanitary Elbow 90° (All Hub)			
	Ordering Code No	C mm	C1 mm	M mm
2	126SNVG2	79.00	20.00	68.95
3	126SNVG3	116.50	38.50	100.73
4	126SNVG4	142.45	44.45	127.70
6	126SNVG6	203.20	76.20	183.30



Short Elbow 90° (All Hub)



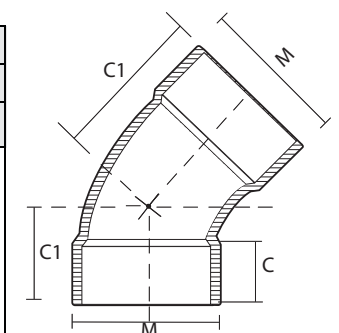
Size In.	Short Elbow 90° (All Hub)			
	Ordering Code No	C mm	C1 mm	M mm
3	126SNWG3	95.20	47.60	120.28
4	126SNWG4	109.44	51.50	127.40



Sanitary Elbow 45° (All Hub)



Size In.	Sanitary Elbow 45° (All Hub)			
	Ordering Code No	C mm	C1 mm	M mm
2	126SNVH2	20.00	58.00	68.95
3	126SNVH3	38.50	82.50	100.73
4	126SNVH4	45.00	101.00	127.50

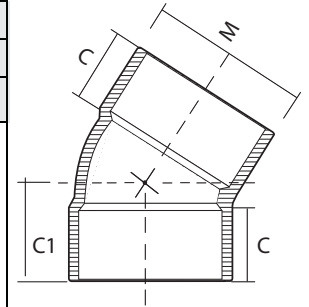


NAMAT DWV FITTINGS

Short Elbow 45° (All Hub)



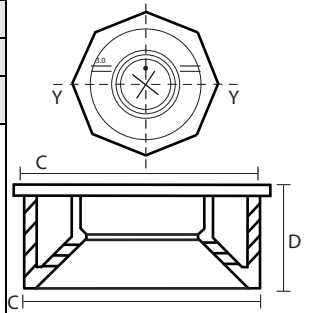
Size In.	Short Elbow 45° (All Hub)			
	Ordering Code No	C	C1	M
		mm	mm	mm
2	126SNWH2	30.00	45.60	68.65
3	126SNWH3	47.60	70.00	100.20
4	126SNWH4	110.40	97.10	127.05
6	126SNWH6	77.00	160.00	183.50



Reducer Flush Bushing (Spg x Hub)



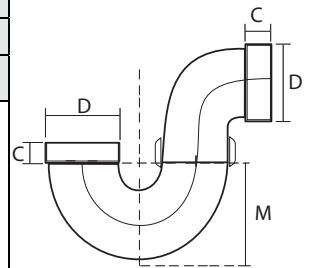
Size In.	Reducer Flush Bushing (Spg x Hub)		
	Ordering Code No	C	D
		mm	mm
3x2	126SNVR3X2	88.80	44.10
4x2	126SNVR4X2	114.20	51.20



P - Trap Long (All Hub)



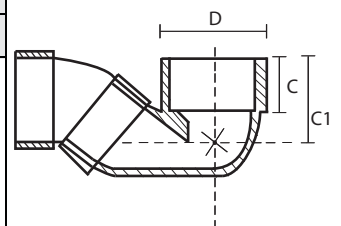
Size In.	P-Trap Long (All Hub)			
	Ordering Code No	C	D	M
		mm	mm	mm
2	126SNVPT2	21.00	68.70	109.20
3	126SNVPT3	39.00	100.53	161.00
4	126SNVPT4	45.00	127.50	193.00



P - Trap Short (All Hub)

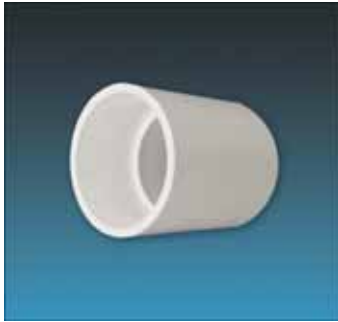


Size In.	P-Trap Short (All Hub)			
	Ordering Code No	C	C1	D
		mm	mm	mm
4	126SNWPT4	51.80	45.80	127.05
110mm	126SNWPT110	51.80	45.80	127.05
110/4	126SNWPT4.4	58.05	47.0	127.05

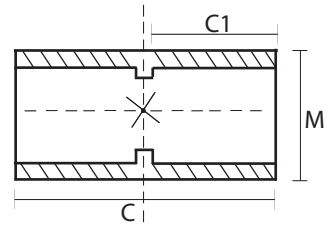


NAMAT DWV FITTINGS

Coupling



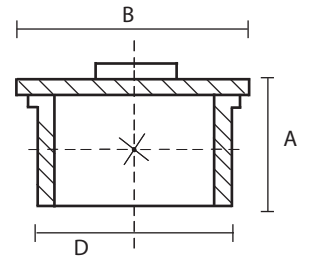
Size In.	Couplings			
	Ordering Code No	C mm	C1 mm	M mm
4	126SNWM4	10.60	5.20	12.80
6	126SNWM6	18.15	9.00	18.30



Access Cap and Plug



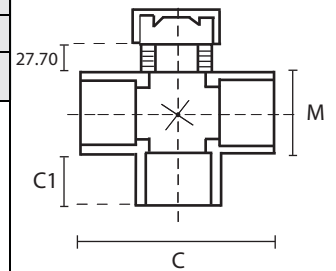
Size In.	Access Cap and Plug			
	Ordering Code No	A mm	B mm	D mm
2	126SNWAP2	49.15	70.65	59.90
3	126SNWAP3	59.70	98.10	88.90
4	126SNWAP4	71.65	125.85	112.00
6	126SNWAP6	113.75	187.80	168.50



Vent Tee 90°



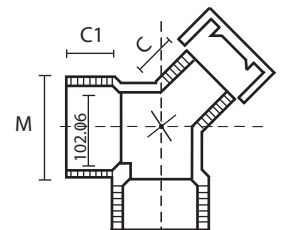
Size In.	Vent Tee 90°			
	Ordering Code No	C mm	C1 mm	M mm
4	126SNWA T4	221.60	51.05	127.65



Vent Elbow 90°



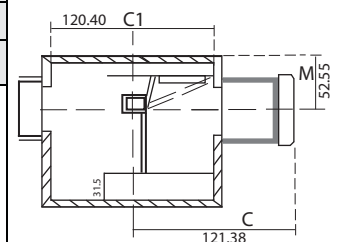
Size In.	Vent Elbow 90°			
	Ordering Code No	C mm	C1 mm	M mm
4	126SNWAG4	27.00	51.70	126.85



Floor Gulley



Size In.	Floor Gulley			
	Ordering Code No	C mm	C1 mm	D mm
2x1 1/2	126SNWFG2X112	121.35	120.40	52.55



NEPROPLAST

Manufacturing Plant, JEDDAH
P.O. Box 460 - zip Code 21411
Tel.: 02-6363558/1596/1205 Fax: 02-6362364
Email : info@neproplast.com

MARKETING OFFICES

• Eastern Region

National Marketing Est Co. Ltd.
Dammam
P.O. Box 2145 - zip code 31952.
Tel.: 03 847-1315
Fax: 03 847-1312
E-mail : dammam@namat.com

National Marketing Est Co. Ltd. Dammam
(Saud Branch)
P.O. Box 2145 - zip code 31952
Tel.: 03 834-4904
Fax: 03 834-5247
E-mail : dammam@namat.com

National Marketing Est Co. Ltd. Al-Ahsa
P.O. Box 4251, Al Ahsa 31982
Tel.: 03 580-0699 / 5885682
Fax: 03 588-5681
E-mail : alahsa@namat.com

National Marketing Est Co. Ltd.
Jubail : 31951
P.O.Box : 810
Tel:03 3612159 , Fax: 03 3612155
Email: jubail@namat.com

National Marketing Est Co. Ltd..
Hafr Btain 31991
Tel.: 03 723-5200
Fax: 03 723-5240
E-mail : hafraibaten@namat.com

National Marketing Est Co. Ltd. Khafji
Jubail : 31951 , P.O.Box : 810
Tel:03 7670557 , Fax: 03 7671146
Email: khafji@namat.com

• Central Region

National Marketing Est Co.Ltd.
Riyadh
P.O.Box 60738-Zip Code 11555
Tel.: 01 478 0015 / 477 3378
Fax: 01 482567
E-mail : Riyadh@namat.com

National Marketing Est Co. Ltd. Al-Kharj
P.O. Box 2589 , Al-Kharj 11942
Tel.: 01 548 9057
Fax: 01 548 4773
E-mail : Kharj@namat.com

National Marketing Est Co. Ltd. Qassim
P.O. Box 2218, Qassim, Buraidah
Tel.: 06 382-0916 / 381-3350
Fax: 06 381-3982
E-mail : qassim@namat.com

National Marketing Est Co. Ltd. Hail
P.O. Box 7479 , Hail
Tel.: 06 533-0476
Fax: 06 534-4248
E-mail : hail@namat.com

National Marketing Est Co. Ltd. Arar
P.O. Box 1251 , Arar 91431
Tel.: 04 664 2529
Fax: 04 662 1626
E-mail : arar@namat.com

National Marketing Est Co. Ltd. Wadi Dawasser
P.O.Box : 2589 , Al - Kharj : 11942
Tel: 01 7861029 , Fax: 01 7861029
Email: kharj@namat.com

National Marketing Est Co. Ltd. Qurrayat
P.O.Box : 1251 , Arar : 91431
Tel: 04 6427779 , Fax: 04 6416233
Email: arar@namat.com

• Western Region

National Marketing Est Co. Ltd.
Jeddah (Bani Malik)
P.O. Box 16375, Jeddah 21464
Tel.: 02-617-1655/670-1603
Fax: 02-673-6384
E-mail :cont@namat.com

National Marketing Est Co. Ltd. Taif
King Khaled Street , Beside Al Muhaidib
Tel. 02 744-1345 , Fax: 02 744-1645
Email: nader.qrenawi@ikkgroup.com

National Marketing Est Co. Ltd. Madina
P.O. Box: 5362 , Al Jamaat Road
Beside Central Market Al-Dar
Tel: 04 8500011/8501010/8500505 , Fax: 04 8500165
Email: madinah@namat.com

National Marketing Est Co. Ltd. Yanbu
P.O. Box: 773 , Yanbu 41911
Tel. 04 322 3880 / 3917483 / 390 2372
Fax: 04 322 3857
Email: yanbu@namat.com

National Marketing Est Co. Ltd. Tabuk
Al-Madinah Al-Munawarah Road
Tel: 04 4230550/04 4232502 , Fax: 04 4215761
Email: tabuk@namat.com

National Marketing Est Co. Ltd. Jazan
Sabia City , Dair Baney Malk Street , Jazan
Tel. 07 3270072 , Fax: 07 3267577
Email: saher.almossa@ikkgroup.com

National Marketing Est Co. Ltd. Sabt Al Alaya
Near Al Farouk Mosque , Sabt Al Alaya
Tel: 07 6300701 , Fax: 07 6300705
Email: waheeb.trad@ikkgroup.com

National Marketing Co.Ltd. Khamis Mushait
P.O. Box:2819,
New Khamis Mushait Industrial Area
Tel. 07 233 0997 / 2382 977 / 887 ,
Fax: 07 233 0660
Email : Khamis@namat.com

Export Offices

National Marketing Est Co. Ltd. Export Office
P.O. Box 16375 - Zip Code 21464
Tel.: 02-647-4204
Fax: 02-647-4503
E-mail : export@namat.com





شركة صناعات المنتجات الجديدة المحدودة

قطع نيبرو بلاست لتوصيلات الصرف الصحي DWV بي في سي الامريكية



التوزيع الحصري
شركة المؤسسة الوطنية للتسويق المحدودة

www.namat.com | www.neproplast.com
www.namat-plasticwelding.com

